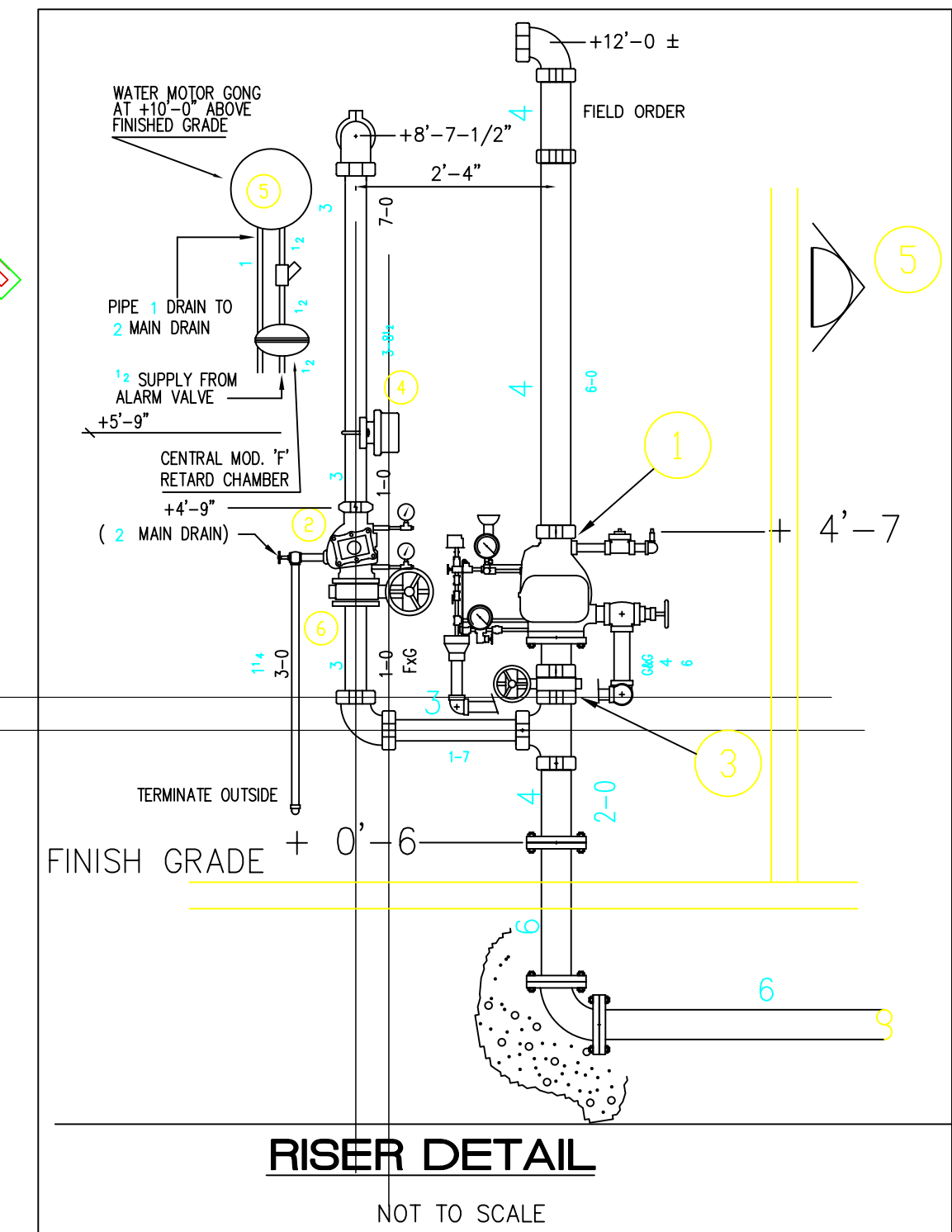


PIPE SIZE	WOOD SCREW	LAG SCREW
1 1/2"	#8 x 1 1/2"	
2 1/2"		3/8 x 2"
4"		1/2 x 2"

SEE SHIT. 2 OF 7 FOR A.S. THIS AREA



- 1 4 DRY PIPE VALVE CENTRAL MOD. AG W/ ALL ACCESSORIES
- 2 CENTRAL ALARM CHECK VALVE UL/FM APPROVED W/ TRIM
- 3 BUTTERFLY VALVE
- 4 BUTTERFLY VALVE
- 5 FLOW SWITCH
- 6 WATER MOTOR GONG FROM DRY VALVE AND ALARM CHECK VALVE.

NOTE: SPRINKLER CONTRACTOR, INC. IS NOT TO CONNECT TO OR DRAW FROM THE UNDERGROUND PIPING UNTIL A CERTIFICATE OF FLUSHING HAS BEEN PROVIDED. THE CERTIFICATE MUST BE BY THE APPROPRIATE INSPECTING AGENCY.

PIPING NOTES
 1.- HANG ALL PIPE @ 7-1/2" BELOW BOTTOM OF DRY WALL (APPROX. 3'-7" AFF.)
 W/ HANGER # 3 AND TRAPEZE HANGER FROM WOOD TRUSSES.

4 HOUR RATED WALL

SEE SHIT. 4 FOR CONT.

HYDRAULIC SYSTEM

THIS BUILDING IS PROTECTED BY A HYDRAULICALLY DESIGNED AUTOMATIC SPRINKLER SYSTEM

LOCATION: REMOTE AREA # 1

No. OF SPRINKLERS: 7

1.- DENSITY: 10 GPM/SQ.FT.

2.- DESIGN AREA: 1600

SYSTEM DEMAND:

1. GPM DISCHARGE: 289 GPM

2. RESIDUAL PRESSURE: 43.8 PSI AT BASE OF THE RISER

USE THIS INFO. ON CALC. PLATE RISER

GENERAL NOTES

- THIS AUTOMATIC FIRE PROTECTION SPRINKLER SYSTEM SHALL BE DESIGNED, FABRICATED, AND INSTALLED IN ACCORDANCE WITH N.F.P.A. #13-1991 EDITION AND TEXAS DEPARTMENT OF INSURANCE.
- SPRINKLER SYSTEM SHALL BE HYDRAULICALLY DESIGNED AS FOLLOWS:
 LIGHT HAZARD AREAS : 10 GPM DENSITY OVER 1,500 SQ. FT. (OR THE LARGEST ROOM)
 HOSE STREAM ALLOWANCE : 100 GALLONS PER MINUTE
 ORDINARY HAZARD AREAS : 15 GPM DENSITY OVER 1,500 SQ. FT.
 HOSE STREAM ALLOWANCE : 250 GALLONS PER MINUTE
- SPRINKLER SPACING SHALL BE AS FOLLOWS:
 225 SQUARE FEET MAXIMUM FOR ALL LIGHT HAZARD AREAS
 130 SQUARE FEET MAXIMUM FOR KITCHENS, MECH. ELEC. AND ATTICS.
- PIPE 1" TO 1-1/2" IN SIZE DINA-TREAD 40
 PIPE TO ASTM A-135
- PIPE 2" AND UP SHALL BE SCH. 10 BLACK ASTM A-195 LINO.
- THREADED FITTINGS SHALL BE CLASS 125 BLACK CAST IRON
- GROOVED FITTINGS SHALL BE VICTALIC OR EQUAL UL FM APPROVED.
- WELDED OUTLETS SHALL BE BLACK STEEL.
- PIPE SHALL BE HUNG PER N.F.P.A. #13-1991 EDITION (SEE DETAILS).
- CROSSMANS SHALL BE ADEQUATELY SWAY-BRACED PER NFPA #13 1991 EDITION (SEE DETAILS).
- SPRINKLER DEFLECTOR DISTANCE SHALL BE PER CODE AND TECH. DATA.
- ALL CONTROL VALVES SHALL BE PROVIDED WITH SUPERVISORY SWITCHES.
- USE 401 CARPES IN AREAS W/ SURFACE MOUNTED LIGHTS.

SYM	QTY	NAME	METAL	TEMP	K	NPT	ORIF	MFG.	MODEL#	ESCUT
54	PENDENT	CHROME	155	5.60	1/2"	1/2"	CENTRAL	GB-OR	407	
58	PENDENT	CHROME	155	5.60	1/2"	1/2"	CENTRAL	GB-OR	RECESSED	
11	PENDENT	CHROME	165	11.40	3/4"	0.64	CENTRAL	EL0-16 GB FR	RECESSED	
12	DRY-PEND.	CHROME	200	5.60	1/2"	1/2"	CENTRAL	A-1	RECESSED	
1	SIDE	CHROME	155	5.30	1/2"	1/2"	CENTRAL	GB-OR	RECESSED	

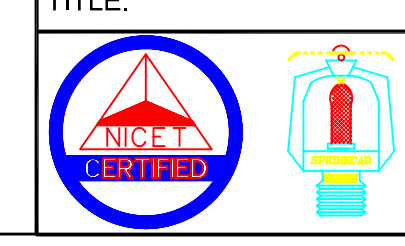
WATER FLOW INFORMATION: DATE: 1/95
 STATIC PRESSURE: 63 PSI
 RESID. PRESSURE: 43 PSI
 FLOW: 950

BUILDING SUMMARY
 FLOOR AREA = 27,271 S.F.
 OCCUPANCY GROUP 1 UNRESTRAINED
 TYPE V1 1 HOUR

FIRE SPRINKLERS

PROJECT: RETIREMENT CENTER
 ADDRESS: _____
 CITY: _____

DRAWN: WY	DATE: --	DRAWING NO. FP-1



TOTAL HEADS THIS PAGE: 329
 TOTAL HEADS ENTIRE JOB: 1579

SCALE: 1/8" = 1'-0"

NOTE: INSULATE PIPE TO PREVENT AGAINST FREEZING. (TYP. FOR 2) STARTING POINT FOR TRUSSES @ 24" O.C.