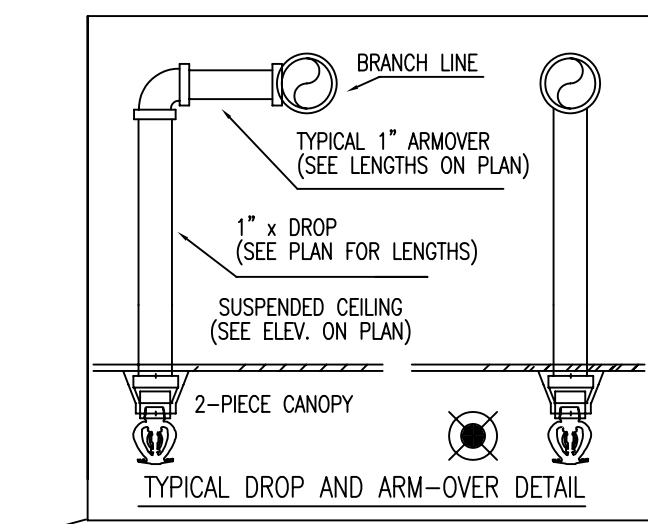
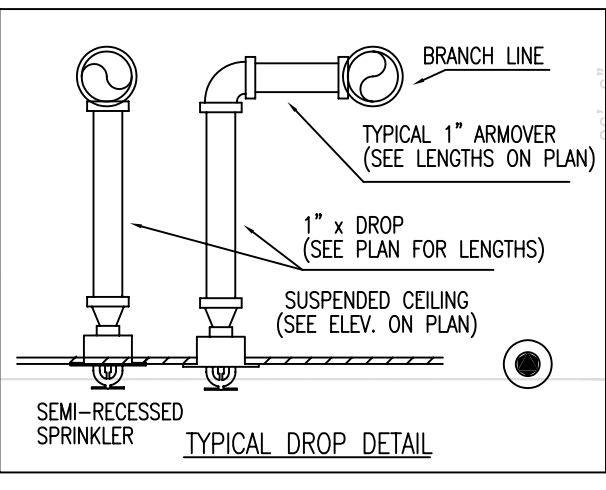
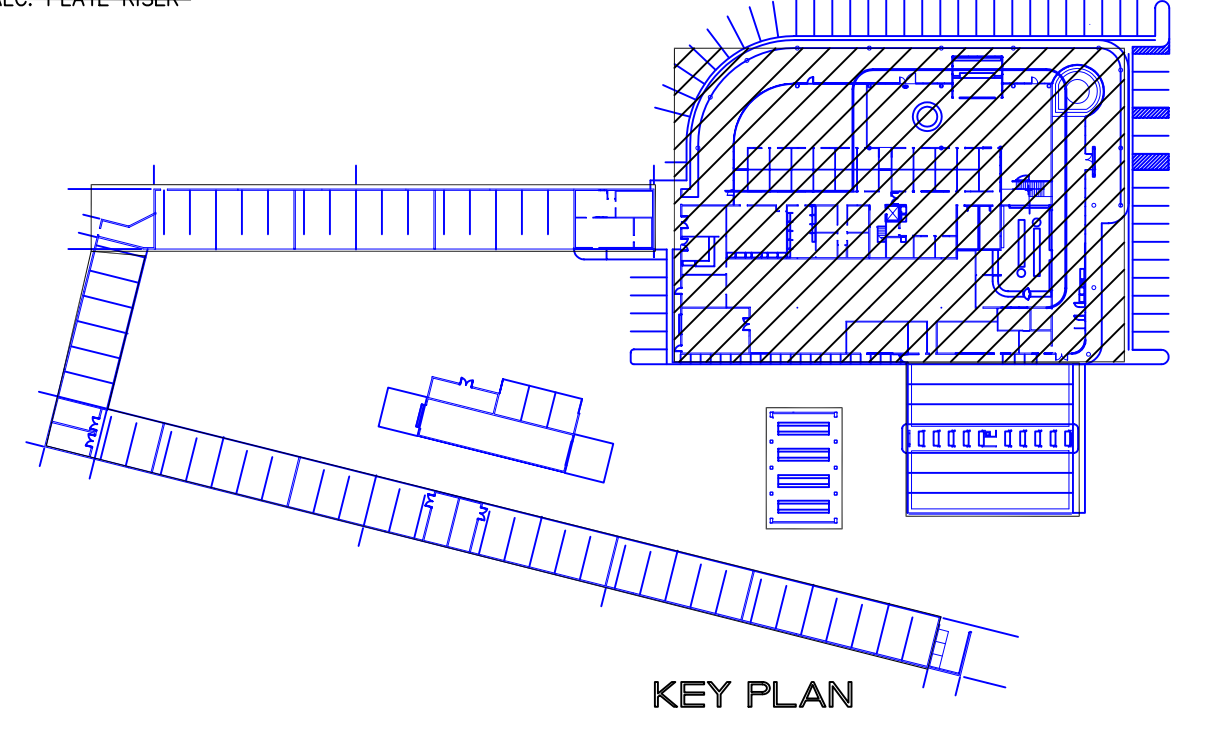


**HYDRAULIC SYSTEM**  
 THIS BUILDING IS PROTECTED BY A HYDRAULICALLY DESIGNED AUTOMATIC SPRINKLER SYSTEM  
 LOCATION: RETAIL AREA # 1  
 NO. OF SPRINKLERS FLOW: 12  
**BASES OF DESIGN**  
 1. DENSITY: 5  
 2. DESIGN AREA OF DISCHARGE: 500  
**SYSTEM DEMAND**  
 1. GPM DISCHARGE: 250 GPM  
 2. RESIDUAL PRESSURE AT BASE OF THE RISER: 100 PSI  
 3. HOSE STREAM: 250 GPM  
 USE THIS INFO. ON CALC. PLATE RISER



**HYDRAULIC SYSTEM**  
 THIS BUILDING IS PROTECTED BY A HYDRAULICALLY DESIGNED AUTOMATIC SPRINKLER SYSTEM  
 LOCATION: RETAIL AREA # 3  
 NO. OF SPRINKLERS FLOW: 10  
**BASES OF DESIGN**  
 1. DENSITY: 5  
 2. DESIGN AREA OF DISCHARGE: 500  
**SYSTEM DEMAND**  
 1. GPM DISCHARGE: 250 GPM  
 2. RESIDUAL PRESSURE AT BASE OF THE RISER: 100 PSI  
 3. HOSE STREAM: 250 GPM  
 USE THIS INFO. ON CALC. PLATE RISER



**FOR GENERAL NOTES AND DETAILS SEE FP-1**

- PIPING NOTES**
- HANG ALL NEW PIPE 1" TO 2" IN SIZE  
 6" BELOW BOTTOM OF TRUSS OR GLUE-LAM BEAM FROM WOOD STRUCTURE WITH HANGER # 1, # 2 AND # 3
  - HANG ALL PIPE 2-1/2"  
 6" BELOW BOTTOM OF TRUSS OR GLUE-LAM BEAM FROM WOOD STRUCTURE WITH HANGER # 1 AND # 3
- ALL ARM-OVERS OVER 12' TO HAVE A HANGER

**HYDRAULIC SYSTEM**  
 THIS BUILDING IS PROTECTED BY A HYDRAULICALLY DESIGNED AUTOMATIC SPRINKLER SYSTEM  
 LOCATION: RETAIL AREA # 2  
 NO. OF SPRINKLERS FLOW: 14  
**BASES OF DESIGN**  
 1. DENSITY: 5  
 2. DESIGN AREA OF DISCHARGE: 500  
**SYSTEM DEMAND**  
 1. GPM DISCHARGE: 250 GPM  
 2. RESIDUAL PRESSURE AT BASE OF THE RISER: 100 PSI  
 3. HOSE STREAM: 250 GPM  
 USE THIS INFO. ON CALC. PLATE RISER

SYM	TEXT	NAME	METAL	TRSP	K	WPT	DRP	WPC	MODEL#	ESOUT
166	PEND	CHROME	155	5.60	1/2"	1/2	VKING	M-QR		
202	UPR	BRASS	200	5.60	1/2"	1/2	VKING	M-QR		RECESSED
45	UPR	BRASS	155	5.60	1/2"	1/2	VKING	M-QR		
166	PEND	CHROME	155	5.60	1/2"	1/2	VKING	M-QR		
4	UPR	BRASS	200	5.60	1/2"	1/2	VKING	M-QR		
4	PEND	CHROME	155	5.60	1/2"	1/2	VKING	M-QR		
3	UPR	BRASS	200	5.60	1/2"	1/2	VKING	M-QR		401 CANOPY
6	UPR	BRASS	200	5.60	1/2"	1/2	VKING	M-QR		
6	PEND	CHROME	155	5.60	1/2"	1/2	VKING	M-QR		



**FIRE SPRINKLERS**

PROJECT: RETAIL  
 ADDRESS: RETAIL  
 CITY: RETAIL  
 TITLE: MAIN BUILDING PARTIAL FIRST FLOOR PIPING PLAN  
 DRAWN: W Y DATE: ---  
 W Y FIRE SPRINKLER DESIGN SERVICES  
 FP-1 OF --- SHEETS

SCALE: 1/8" = 1'-0"  
 DATE: 11-17-15  
 FILE: FP-2-2015